

# RESW Series LED

## Construction:

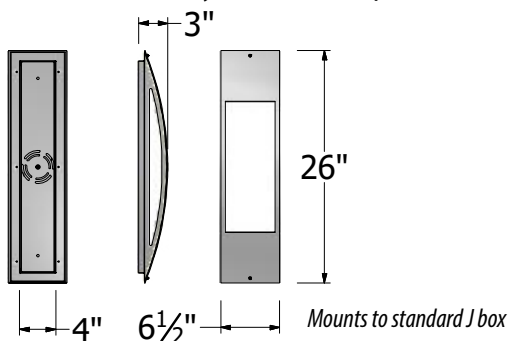
- Durable Steel housing and chassis
- White textured polycarbonate lens with optional decoative front lens

## Light Source:

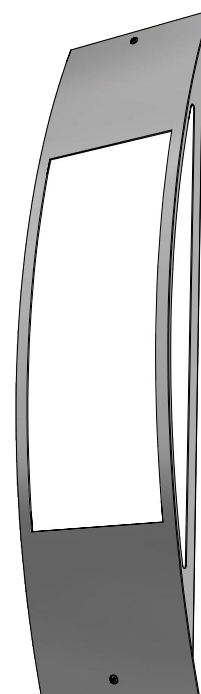
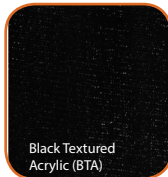
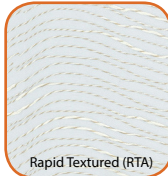
- LED
- Dimming (TRIAC/ELV) to 10%, 120v only

## Notes:

- Universal mounting pattern with mounting hardware included
- Horizontal or vertical mounting
- ADA compliant
- UL and CUL listed DAMP location
  - Replaceable Module
  - **CRI > 90**
  - Universal 120/277 volt standard
  - 5-Year Warranty on LED Components



Type:	
Job Name:	



## ORDERING INFORMATION

Example: RESW-626-LED-F2N-2-M13-WTP

## RESW

Size	LED					Kelvin	Cage	Finish	Diffuser	Options
		Watts	Source Lumens	Dimming	Energy Star	2 3000K 4 4000K		<b>B1</b> Satin Black <b>T6</b> Pewter <b>W2</b> Gloss White <b>Z1</b> Satin Bronze <b>Z3</b> Text Bronze <b>W1</b> Yolk <b>W3</b> Text White <b>B2</b> Text Black <b>T4</b> Shimmer Gray <b>M13</b> Anod Silver <b>W13</b> Pearl Beige	<b>WTP</b> White Textured Polycarbonate  <b>Optional Front Diffusers</b> <b>RTA</b> Rapid Textured Acrylic <b>BTA</b> Black Textured Acrylic <b>WLA</b> White Linen Acrylic <b>CTA</b> Chocolate Textured Acrylic	<b>DIMLD</b> LED See notes
<b>626-LED</b>	<b>F2N</b>	15	3288	TRIAC/ELV	YES	<b>NL</b> Not Included		<b>Optional Finishes</b> (see Price List) <b>P2</b> Brushed Alum <b>P9</b> Brushed Nickel		



28435 Industry Drive., Valencia, California 91355  
 West Coast Sales: 800-325-4448 / 661-257-0286 • fax 800-323-2346 / 661-257-0201  
 East Coast Sales: 866-350-0991 • fax 866-490-5754  
 www.lightwayind.com • sales@lightwayind.com

