

# DXAW-LED

## Construction:

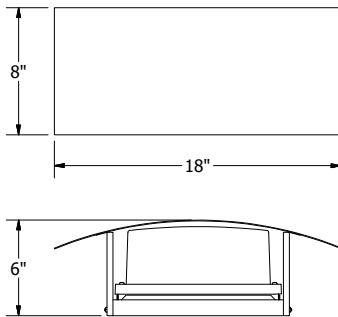
- Steel housing and chassis
- Clear prismatic polycarbonate lens behind shield

## Light Source:

- LED
- Dimming to 10% **Included**

## Notes:

- Integral mounting plate
- Optional photocell - option 21 (specify voltage)
- Optional battery backup
- UL and CUL listed **WET** location
- LED Components
  - CRI > 80
  - Dimming 0-10v
  - 120/277 volt driver
  - 5-Year Warranty on LED Components



Type:	
Job Name:	



## ORDERING INFORMATION

Example: DXAW-18-LED-04A-2-B1

### DXAW

Size	LED					Kelvin	Cage	Finish	Diffusers	Options
		Watts	Source Lumens	Dimming	Energy Star	2 3000K 4 4000K		B1 Satin Black B2 Text Black Z1 Satin Bronze Z3 Text Bronze W1 Yolk White W2 Gloss White T4 Shimmer Gray M13 Anod Silver T6 Pewter W13 Pearl Beige		DIM LED dimming driver (0 - 10v) Dimming to 10% <b>(Included)</b>
18-LED	04A	24	3200	0-10v	NO	Optional 3 3500K		Optional (See Price List) M17 Brass Powder		42 All Aluminum Construction 21 Photocell - See Notes -01 120 volt -02 208-277 volt
										Battery Backup Options BB10 10 Watts (1170lm) for 90-Minutes



28435 Industry Drive., Valencia, California 91355  
 West Coast Sales: 800-325-4448 / 661-257-0286 • fax 800-323-2346 / 661-257-0201  
 East Coast Sales: 866-350-0991 • fax 866-490-5754  
 www.lightwayind.com • sales@lightwayind.com

