

LCBH-LED

Construction:

- Bottom Diffuser is a White Textured Acrylic
- Side Diffuser is a Translucent Bonded Linen Material with a variety of color options.
- Canopy and housing are steel with a powder coated finish
- (4) Sets of 3/8" sq Aluminum bars accent the side of the lens

Light Source:

- LED
- Dimming to 10% **Included**

Notes:

- Mounting Kit Included for standard J-box
- Multiple canopy and stem options available.
- Custom overall heights available
- The LCLH has a typical leadtime of 6weeks, consult with factory for any minimum order quantities and setup fees
- UL and CUL listed **DAMP** location
- LED Array
 - Replaceable Module
 - CRI > 90
 - Dimming (10% or 1%)
 - Universal 120/277 volt standard
 - 5-Year Warranty on LED Components
- For a ceiling flush mounted version see the **LCBC**

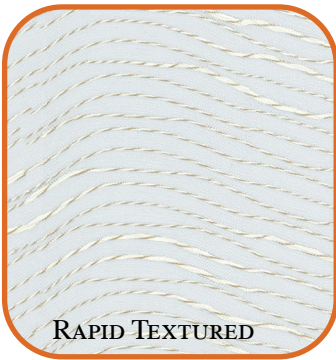
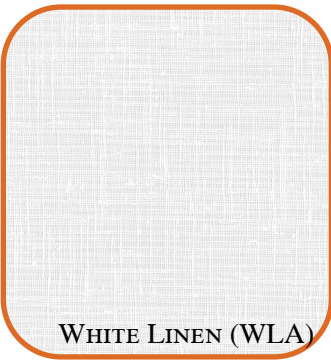
Type:	
Job Name:	



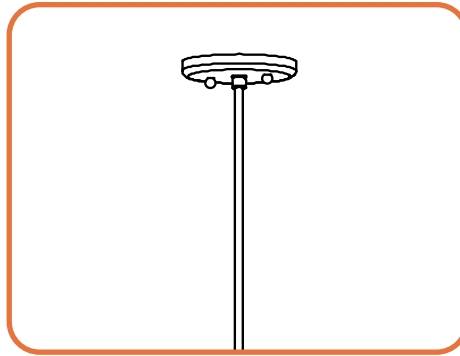
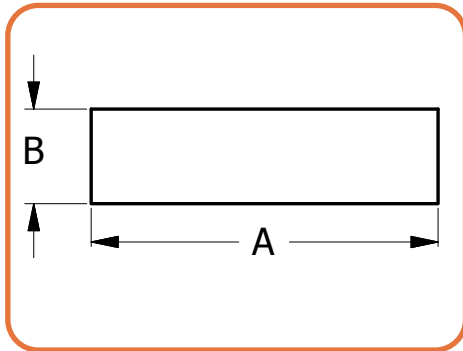
Shown with White Linen Acrylic Side Lens & 1SLM45 Stem



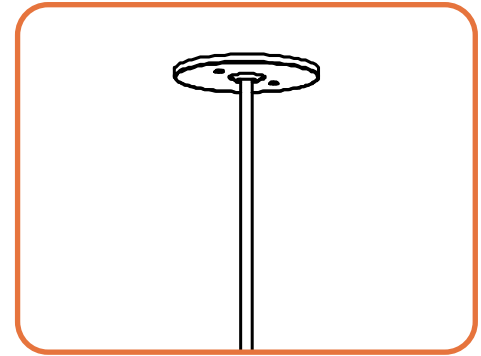
DIFFUSER OPTIONS



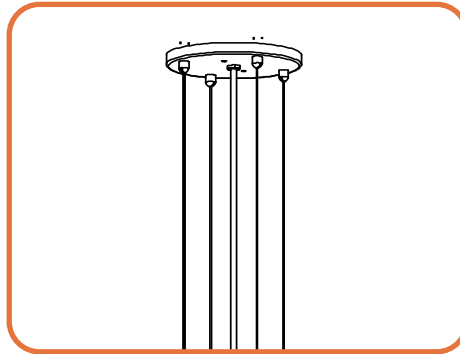
LCBH-LED



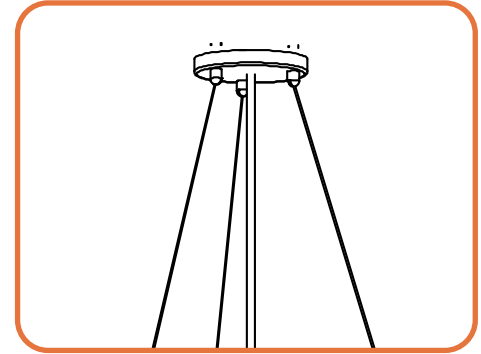
STEM OPTION -1S15



STEM OPTION -1SLM45



STEM OPTION -AIRCRAFT
CABLE WITH CORD-(4AC-xSJ)



STEM OPTION -AIRCRAFT
CABLE WITH CORD-(3AC-xSJ)

	DIM 'A'	DIM 'B'	OAH
LCBH-12	12.75"	4.5"	12"
LCBH-15	15.5"	4.5"	12"
LCBH-19	19.5"	5.25"	12"
LCBH-24	24.5"	8"	15"
LCBH-30	30.5"	8"	24"

ORDERING INFORMATION

Example: LCBH-15-LED-F1P-4-W2-CTA-DIM-1SLM45-12OAH

LCBH

Size	LED					Kelvin	Cage	Finish	Diffusers	Options
		Watts	Source Lumens	Dimming	Energy Star	2 3000K 3 3500K 4 4000K				
12-LED	F1L	9	1400	0-10v	YES		B1 Satin Black B2 Text Black Z1 Satin Bronze Z3 Text Bronze W1 Yolk White W2 Gloss White T4 Shimmer Gray M13 Anod Silver T6 Pewter W13 Pearl Beige Optional (See Price List) M17 Brass Powder	WLA White Linen Acrylic CTA Chocolate Textured Acrylic Optional Trim Options (Consult Factory)	(Suspension Systems) Please list Over All Height 1S15 -Single Stem 15 degree swivel 1SLM45 -Single Stem 45 degree swivel 4AC -(4) Aircraft Cable 3AC -(3) Aircraft Cable DIM LED dimming driver (0 - 10v) DIMLD Line Voltage /TRIAC/ELV/120v T24 Title 24/JA8 Compliant (F10, F1P & F1Q configuration only) ES Energy Star listed components OCCHFA Concealed Occupancy Sensor <i>See Sensor Resource Sheet</i> Battery Backup Options (Available with 0-10v only) BB10 10 Watts (1170lm) for 90-Minutes	
	F1O	10	863	TRIAC/ELV	YES					
	F1P	15	1361	TRIAC/ELV	YES					
15-LED	F1K	13	2115	0-10v	YES			RTA Rapid Textured Acrylic BTA Black Textured Acrylic Bottom Diffuser WTA White Textured Acrylic		
	F1P	15	1361	TRIAC/ELV	YES					
	F1Q	23	2057	TRIAC/ELV	YES					
19-LED	L1A	36	4000	0-10v	NO					
	F1Q	23	2057	TRIAC/ELV	YES					
24-LED	L1A	36	4000	0-10v	NO					
30-LED	O4C	36	4840	0-10v	NO					
36-LED	O8C	72	9680	0-10v	NO					



28435 Industry Drive., Valencia, California 91355
 800-325-4448 / 661-257-0286 • fax 800-323-2346 / 661-257-0201
 www.lightwayind.com • sales@lightwayind.com

