

CYVW Series LED

Construction:

- Steel housing and chassis
- Metal spun end caps
- Seamless extruded frosted acrylic tube lens

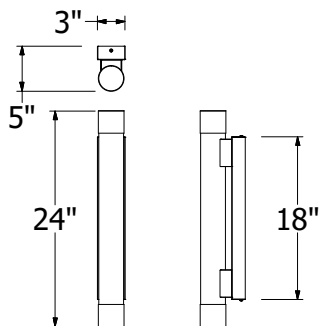
Light Source:

- LED
- Dimming to 10% **Included**

Notes:

- Mounting - See notes below dimensions
- Horizontal or vertical mounting
- Optional battery backup
- UL and CUL listed DAMP location
- LED Components
 - Replaceable Module
 - CRI > 80
 - Universal 120/277 volt standard
 - 5-Year Warranty on LED Components

Type:	
Job Name:	



Mounts to 2 x 4 box/opening oriented to match fixture's linear dimension



ORDERING INFORMATION

Example: CYVW-24-LED-F1G-4-M17-WFA

CYVW

Size	LED					Kelvin	Cage	Finish	Diffuser	Options
		Watts	Source Lumens	Dimming	Energy Star	2 3000K 4 4000K		B1 Satin Black B2 Text Black Z1 Satin Bronze Z3 Text Bronze W1 Yolk White W2 Gloss White W3 Text White T4 Shimmer Gray M13 Anod Silver T6 Pewter	WFA White Frosted Acrylic	DIM LED dimming driver (0 - 10v) DIMLD Line Voltage /TRIAC/ELV/120v Consult Factory
24-LED	F1G	15	2350	DIM or DIMLD	NO					
						Optional 3 3500K		Optional (See Price List) M17 Metallic Brass P2 Brushed Alum		90CRI Consult Factory Optional Voltage -347V Input voltage to 347v



28435 Industry Drive., Valencia, California 91355
 West Coast Sales: 800-325-4448 /661-257-0286 • fax 800-323-2346 /661-257-0201
 East Coast Sales: 866-350-0991 • fax 866-490-5754
 www.lightwayind.com • sales@lightwayind.com

