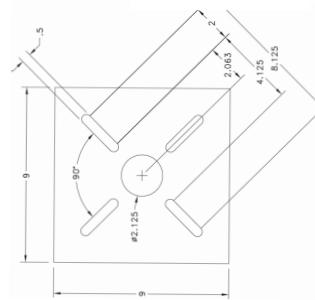
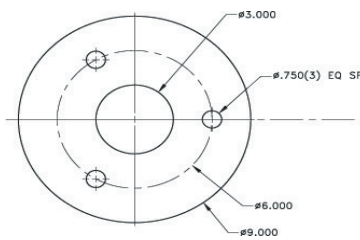
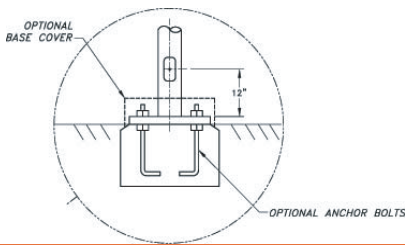


Notes:

- Round, steel, seamless, Wall thickness - 14-gauge (.065")
- Nominal dimensions:
 - O.D. - 3.04"
 - I.D. - 2.88"
 - Available in 8', 10', 12' and custom lengths
- Flange Bases
 - 1/4" steel plate with slots for anchor bolts
 - Round - 9" diameter (3 anchor bolt attachment)
 - Square - 9" square (4 anchor bolt attachment)
- **Decorative Covers** (Optional)
 - Steel decorative covers attach to flange base (round or square)
- **Anchor Bolt Set** (Optional)
 - Consists of hex nut, washer and anchor bolt (3/8" diameter X 9 1/2" long with 1 1/4" thread)
- **Hand Hole** (Optional)
 - For flange base attachment only, hand hole is 12" above base with gasket and cover
- **Installation** (consult local building code)
 - Direct burial - typically 2-feet set in concrete
 - Flange base - mounts to concrete footing
 - Templates - consult factory

Type:	
Job Name:	



WALL

CEILING

PENDANT

OUTDOOR

ORDERING INFORMATION

	Discription	Direct Buried	Anchor Bolts	Base Cover	Finish	Options
-81	10 foot pole round, 3 inch OD steel	Yes	N/A	N/A	B1 Satin Black	-BH Bullhead
-82	12 foot pole round, 3 inch OD steel	Yes	N/A	N/A	Z3 Textured Bronze	-88 Base Cover
-193	15 foot pole round, 3 inch OD steel	Yes	N/A	N/A	Optional Finishes See color chart Consult Factory for Pricing	-89 Set of 3 anchor bolts
-86	8 foot pole round, 3 inch OD, steel with 9 inch round base	No	3	RD		-90 Set of 4 anchor bolts
-91	10 foot pole round, 3 inch OD, steel with 9 inch round base	No	3	RD		-99 Custom length, diameter or configuration
-194	12 foot pole round, 3 inch OD, steel with 9 inch round base	No	3	RD		
-196	15 foot pole round, 3 inch OD, steel with 9 inch round base	No	3	RD		
-87	8 foot pole round, 3 inch OD, steel with 9 inch square base	No	4	SQ		CONSULT FACTORY FOR PRICING
-92	10 foot pole round, 3 inch OD, steel with 9 inch square base	No	4	SQ		
-195	12 foot pole round, 3 inch OD, steel with 9 inch square base	No	4	SQ		

