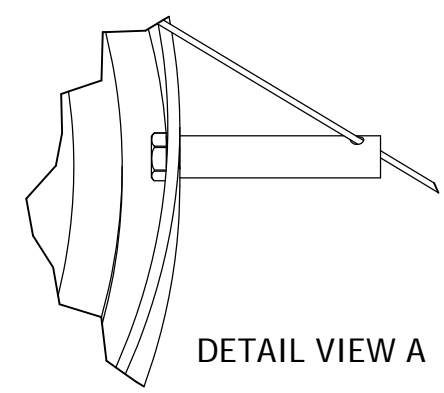
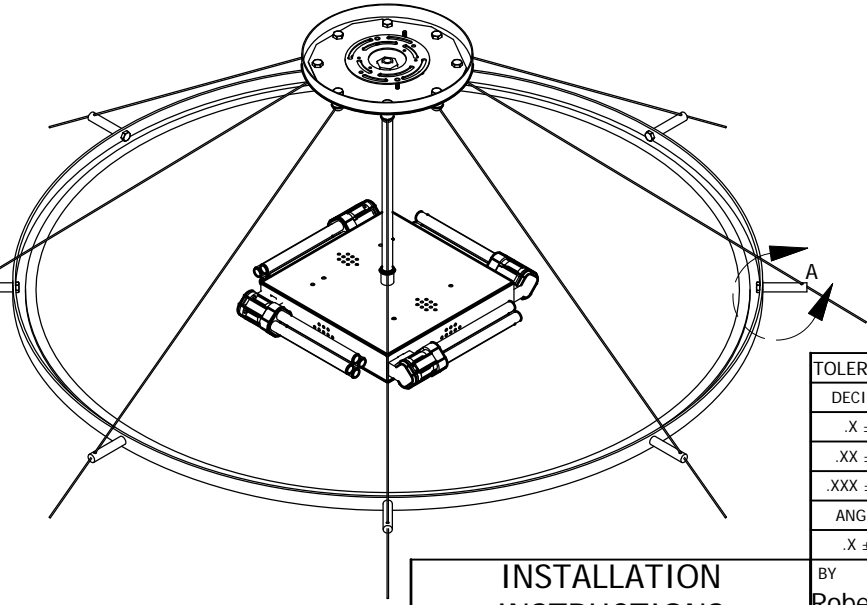


1. ATTACH THE J-BOX MOUNTING BRACKET TO THE J-BOX USING THE PROVIDED (2) #8-32 SCREWS.
2. THREAD AND TIGHTEN ONLY (5)  $\frac{1}{4}$ "-20 x  $\frac{1}{2}$ " HEX BOLTS TO THE CABLE TUBES AS SHOWN IN "DETAIL VIEW A." NOTE: ONLY ASSEMBLE 5 OUT OF THE 8 AT THIS TIME. THE OTHER (3) WILL REMAIN UNASSEMBLED TO ALLOW THE 36"  $\varnothing$  LENS TO BE INSTALLED AT THE END.
3. RUN THE WIRES FROM THE ASSEMBLED CHASSIS THROUGH THE TUBE.
4. THREAD THE TUBE TO THE COUPLING.
5. LIFT UP THE CHASSIS ASSEMBLY WHICH IS NOW ATTACHED TO THE TUBE AND INSERT IT TO THE ROUND CANOPY ASSEMBLY. INSERT THE  $\frac{1}{4}$ " IPS LOCK WASHER AND TIGHTEN THE  $\frac{1}{4}$ " IPS HEX NUT TO THE TUBE.
6. THE FIXTURE IS NOW READY TO BE ATTACHED TO THE J-BOX. LIFT UP THE LIGHT FIXTURE AND ALIGN THE (2) HOLES FROM THE ROUND CANOPY TO THE (2)  $\frac{1}{4}$ " ALL-THREADS STICKING OUT FROM THE J-BOX MOUNTING BRACKET. THREAD AND SECURELY TIGHTEN THE (2)  $\frac{1}{4}$ " BALLS TO THE (2)  $\frac{1}{4}$ " ALL-THREADS OF THE J-BOX MOUNTING BRACKET.

1 - WARNING - BEFORE STARTING THE INSTALLATION, DISCONNECT THE POWER BY TURNING OFF THE CIRCUIT BREAKER OR REMOVING THE FUSE BOX. TURNING OFF THE POWER BY TURNING OFF THE LIGHT SWITCH IS NOT SUFFICIENT TO PREVENT ELECTRICAL SHOCK.

2 - IF YOU ARE REPLACING AN EXISTING FIXTURE, DISCONNECT AND REMOVE THE OLD FIXTURE. EXPOSE THE SUPPLY WIRING FROM THE ELECTRICAL BOX.

3 - MAKE ELECTRICAL CONNECTIONS. CONNECTING THE GROUNDING WIRE (GREEN OR BARE COPPER) FROM THE SUPPLY CIRCUIT TO THE GREEN COLORED WIRE FROM THE FIXTURE. CONNECT THE WHITE WIRE(S) FROM THE FIXTURE TO THE WHITE WIRE OF THE SUPPLY CIRCUIT. CONNECT THE BLACK WIRE(S) FROM THE FIXTURE TO THE BLACK WIRES OF THE SUPPLY CIRCUIT, USE THE UL LISTED WIRE CONECTORS (BY OTHERS). SECURE THE WIRE CONNECTORS WITH UL LISTED ELECTRICAL TAPE (BY OTHERS).



**INSTALLATION INSTRUCTIONS**

TOLERANCES		<b>LIGHTWAY INDUSTRIES</b> VALENCIA CA 91355		
DECIMALS				
.X ± .1		DESCRIPTION PODH-INSTALLATION-INSTRUCTIONS		
.XX ± .01				
.XXX ± .005		BY RobertoL		
ANGLES				
.X ± 1°		DATE 11/9/2012	PART NUMBER 62-155-00	REV 0