

DXTW-LED

Construction:

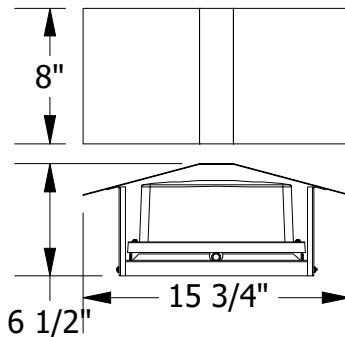
- Steel housing and chassis
- Clear prismatic polycarbonate lens behind shield

Light Source:

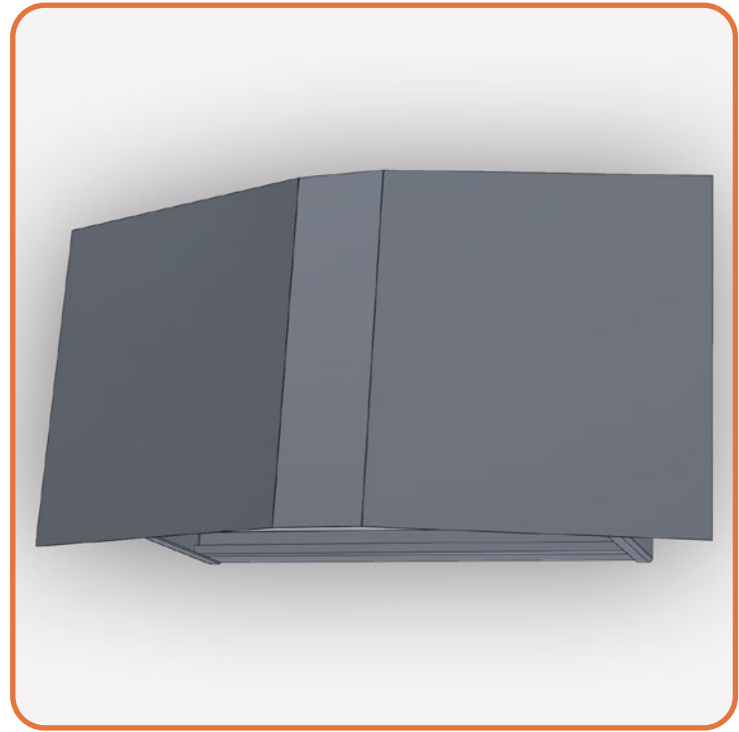
- LED
- Dimming to 10% **Included**

Notes:

- Integral mounting plate
- Optional photocell - option 21 (specify voltage)
- Optional battery backup
- UL and CUL listed **WET** location
- LED Components
 - CRI > 80
 - Dimming 0-10v
 - 120/277 volt driver
 - 5-Year Warranty on LED Components



Type:	
Job Name:	



ORDERING INFORMATION

Example: DXTW-18-LED-O4A-2-B1

DXTW

Size	LED	Watts	Source Lumens	Dimming	Energy Star	Kelvin	Cage	Finish	Diffusers	Options
18-LED	O4A	24	3200	0-10v	NO	2 3000K 3 3500K 4 4000K		B1 Satin Black B2 Text Black Z1 Satin Bronze Z3 Text Bronze W1 Yolk White W2 Gloss White T4 Shimmer Gray M13 Anod Silver T6 Pewter W13 Pearl Beige		DIM LED dimming driver (0 - 10v) Dimming to 10% (Included)
	O2M	30	4100	0-10v	NO			Optional (See Price List) M17 Brass Powder		TC Top Cover for Dark Sky * reduces lumens by half 42 All Aluminum Construction 21 Photocell - See Notes -01 120 volt -02 208-277 volt OCCHFA Concealed Occupancy Sensor Battery Backup Options BB10 10 Watts (1170lm) for 90-Minutes



28435 Industry Drive., Valencia, California 91355
 West Coast Sales: 800-325-4448 /661-257-0286 • fax 800-323-2346 /661-257-0201
 East Coast Sales: 866-350-0991 • fax 866-490-5754
 www.lightwayind.com • sales@lightwayind.com



Revision: 01/22/2024