



The pendant bowl light fixture seamlessly blends functionality with style, providing evenly diffused light and a warm ambiance that elevates any space.

Lightway offers versatile designs featuring Elliptical White Smooth Acrylic or optional bowls in Amber Honey, Beige, or Opal Alabaster, elegantly framed by a handspun steel ring. These fixtures are available in standard finishes and come in three diameter options: 24 inches, 36 inches, or 43 inches. With multiple stem styles, mounting heights, and options like a concealed infrared occupancy sensor and integral battery backup, the configurations are as varied as your needs. Proudly made in America.



# MOAH-LED

## Construction:

- Steel housing and chassis
- Elliptical white smooth acrylic bowl is standard
- Optional alabaster bowl available in elliptical or deep

## Light Source:

- LED
- Incandescent socket base

## Notes:

- Canopy mounts to J-Box with integral safety cable
- Custom mounting heights available
- Multiple canopy and stem options available.
- Custom overall heights available
- Single stem (1S45) suspension with 45-degree swivel
- **Build America, Buy America Act Compliant**
- UL and CUL listed **DAMP** location
- LED Array
  - Replaceable Module
  - CRI > 90
  - Universal 120/277 volt standard
  - 5-Year Warranty on LED Components

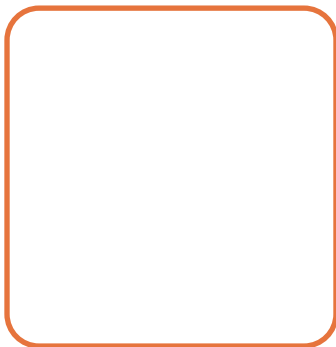
Type:	
Job Name:	



SHOWN WITH ELLIPTICAL BOWL (EL) AND (1S45)



## DIFFUSER OPTIONS



White Smooth  
Acrylic (WSA)



Amber Honey  
Acrylic (AHA)



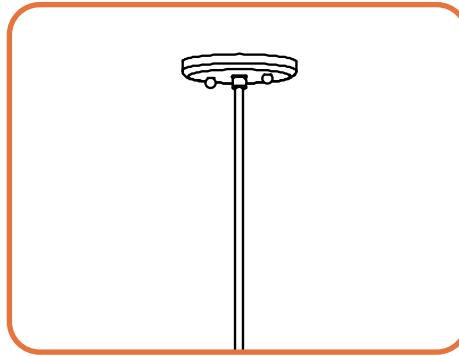
Beige Alabaste  
Acrylic (BAA)



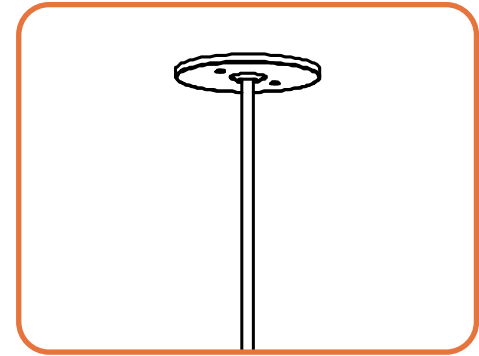
Opal Alabaste  
Acrylic (OAA)



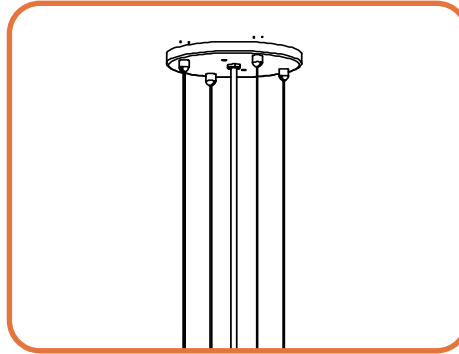
# MOAH-LED



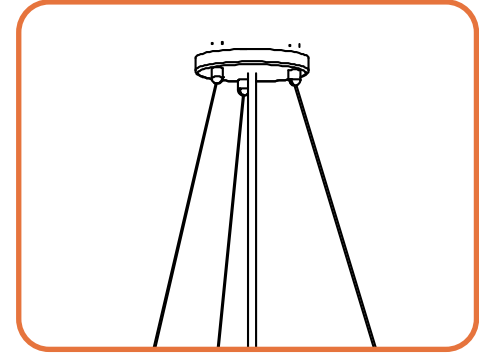
STEM OPTION -IS15



STEM OPTION -ISLM45



STEM OPTION -AIRCRAFT  
CABLE WITH CORD-(4AC-xSJ)



STEM OPTION -AIRCRAFT  
CABLE WITH CORD-(3AC-xSJ)

	Height EL Bowl	Height Deep Bowl	Width	Over All Height
MOAH-24	8"	11"	24"	24"
MOAH-36	11"	15"	36"	36"
MOAH-43	12"	17"	43"	36"

MOAH-24  
MOAH-36  
MOAH-43

## ORDERING INFORMATION

Example: MOAH-36-LED-O12C-4-Z1-WSA-EL-1S45-36"OAH

### MOAH

Size	LED					Kelvin	Cage	Finish	Diffuser	Options
		Watts	Source Lumens	Dimming	Energy Star					
24-LED	L1A	36	4000	0-10v	NO	1 2700K 2 3000K 3 3500K 4 4000K 5 5000K		<b>B1</b> Satin Black <b>B2</b> Text Black <b>Z1</b> Satin Bronze <b>Z3</b> Text Bronze <b>W1</b> Yolk White <b>W2</b> Gloss White <b>T4</b> Shimmer Gray <b>M13</b> Anod Silver <b>T6</b> Pewter <b>W13</b> Pearl Beige  <b>Optional</b> (See Price List) <b>M17</b> Brass Powder	<b>WSA</b> WhiteSmooth Acrylic  <b>Optional Lens Material</b> (see Price List)  <b>AHA</b> Amber Honey Alabaster <b>BAA</b> Beige Alabaster <b>OAA</b> Opal Alabaster	<b>(Suspension Systems)</b> Please list <b>Over All Height</b> <b>1S45</b> - Single Stem (Standard) <b>1SLM45</b> -Single Stem 45 degree swivel <b>1SAC</b> - Single Stem with Aircraft Cable <b>4S</b> - Four Stem <b>AC-STEM</b> - Extends over all height  <b>DIM</b> LED dimming driver (0 - 10v)  <b>OCCHFA</b> Concealed Occupancy Sensor See <i>Sensor Resource Sheet</i>  <b>Battery Backup Options</b> (Available with 0-10v only) <b>BB10</b> 10 Watts (1170lm) for 90-Minutes
	O6C	54	7260	0-10v	NO					
	O8C	72	9680	0-10v	NO					
	O9C	80	10890	0-10v	NO					
36-LED	L1A	36	4000	0-10v	NO			<b>AHA</b> Amber Honey Alabaster <b>BAA</b> Beige Alabaster <b>OAA</b> Opal Alabaster  <b>Diffuser Depth</b>  <b>EL</b> Elliptical Bowl (Standard)  <b>DB</b> Deep Bowl (Optional)		
	O6C	54	7260	0-10v	NO					
	O8C	72	9680	0-10v	NO					
	O12C	107	14520	0-10v	NO					
43-LED	O18C	160	21780	0-10v	NO					
	O9C	80	10890	0-10v	NO					
	O12C	107	14520	0-10v	NO					

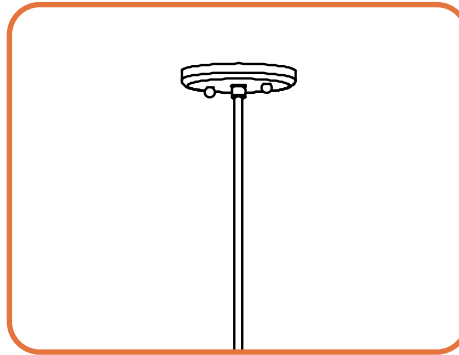


28435 Industry Drive., Valencia, California 91355  
 800-325-4448 /661-257-0286 • fax 800-323-2346 /661-257-0201  
 www.lightwayind.com • sales@lightwayind.com

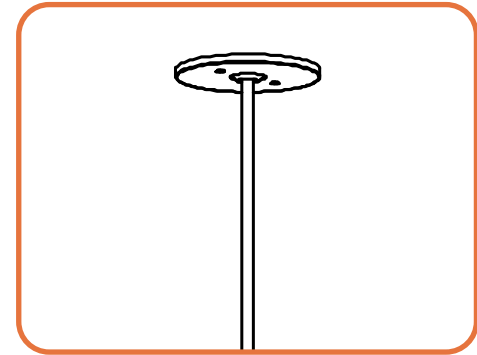




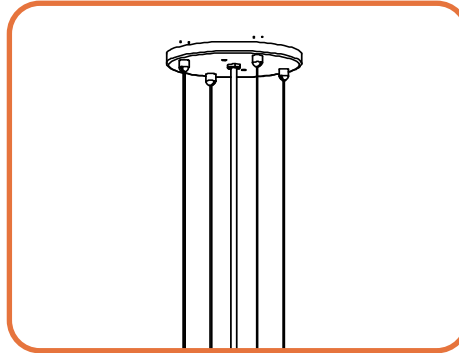
# MOAH-E26



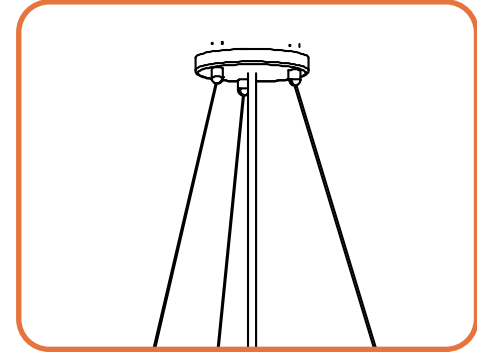
STEM OPTION -1S15



STEM OPTION -1SLM45



STEM OPTION -AIRCRAFT  
CABLE WITH CORD-(4AC-xSJ)



STEM OPTION -AIRCRAFT  
CABLE WITH CORD-(3AC-xSJ)

	Height EL Bowl	Height Deep Bowl	Width	Over All Height
MOAH-24	8"	11"	24"	24"
MOAH-36	11"	11"	36"	36"
MOAH-43	12"	17"	43"	36"

MOAH-24  
MOAH-36  
MOAH-43

## ORDERING INFORMATION

Example: MOAH-36-6E26-NL-Z1-WSA-EL-1S45-36"OAH

MOAH-

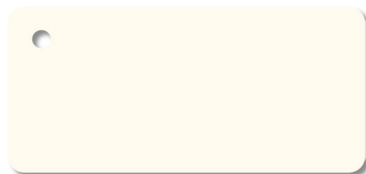
Size	Sockets	Watts	Lumens	Dimming	Energy Star	Kelvin	Finish	Diffuser	Options
MOAH-24	4E26			TRIAC		NL Lamps provided by others	<b>B1</b> Satin Black <b>B2</b> Text Black <b>Z1</b> Satin Bronze <b>Z3</b> Text Bronze <b>W1</b> Yolk White <b>W2</b> Gloss White <b>T4</b> Shimmer Gray <b>M13</b> Anod Silver <b>T6</b> Pewter <b>W13</b> Pearl Beige  <b>Optional</b> (See Price List) <b>M17</b> Brass Powder	<b>WSA</b> WhiteSmooth Acrylic  <b>Optional Lens Material</b> (see Price List)  <b>AHA</b> Amber Honey Alabaster <b>BAA</b> Beige Alabaster <b>OAA</b> Opal Alabaster	<b>(Suspension Systems)</b> <b>Please list Over All Height</b> <b>1S45</b> - Single Stem (Standard) <b>1SLM45</b> - Single Stem 45 degree swivel <b>1SAC</b> - Single Stem with Aircraft Cable <b>4S</b> - Four Stem  <b>AC-STEM</b> - Extends over all height
				TRIAC					
MOAH-36	4E26			TRIAC				<b>AHA</b> Amber Honey Alabaster <b>BAA</b> Beige Alabaster <b>OAA</b> Opal Alabaster	
				TRIAC					
MOAH-43	6E26			TRIAC				<b>Diffuser Depth</b>  <b>EL</b> Elliptical Bowl (Standard)  <b>DB</b> Deep Bowl (Optional)	
				TRIAC					



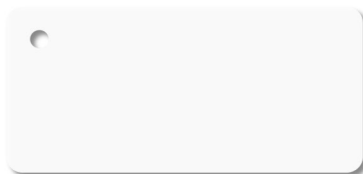
28435 Industry Drive., Valencia, California 91355  
 800-325-4448 / 661-257-0286 • fax 800-323-2346 / 661-257-0201  
 www.lightwayind.com • sales@lightwayind.com



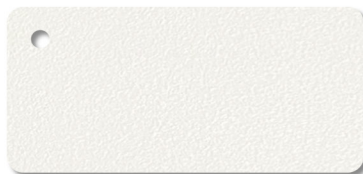
## Standard Finishes



W1 Yolk



W2 Gloss White



W3 Textured White



W13 Pearl Beige



B1 Satin Black



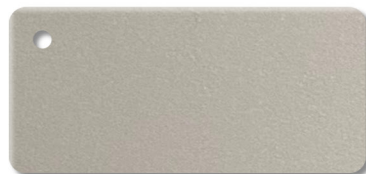
B2 Textured Black



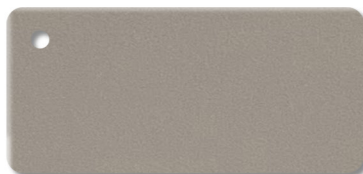
Z3 Textured Bronze



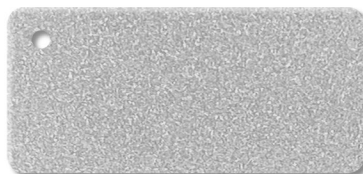
Z1 Satin Bronze



M13 Anodized Silver



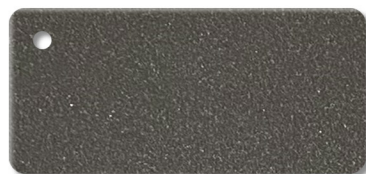
T4 Shimmer Gray



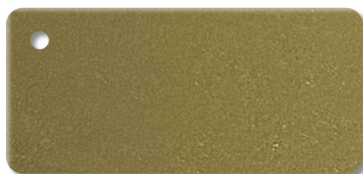
T6 Pewter



T1 Silver Gray



T5 Textured Silver



M17 Brass Powder

## Premium Finishes - Contact Factory For Pricing



U12 Parkers Blue



U13 Cornflower Blue



A15 Medium Gray



G13 Sage Green



W18 Sand Fossil



R4 Deep Red



M20 Tuscan Sun



D12 Butterscotch

### DISCLAIMER:

Colors displayed on your screen may vary slightly from the actual product color due to differences in monitor calibration and lighting conditions. Sample chips are available upon request. **Not all finishes are available with all fixtures. Please consult factory for premium finishes.**



28435 Industry Drive., Valencia, California 91355  
800-325-4448 / 661-257-0286 • fax 800-323-2346 / 661-257-0201  
www.lightwayind.com • sales@lightwayind.com

