

PINW-LED

Construction:

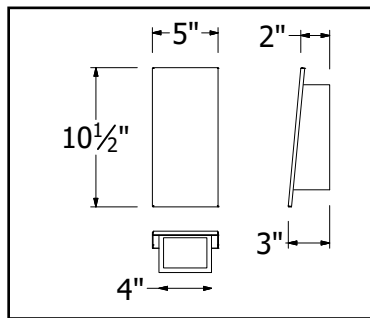
- Steel housing and chassis with aluminum front plate
- Acrylic diffuser with downlight only illumination

Light Source:

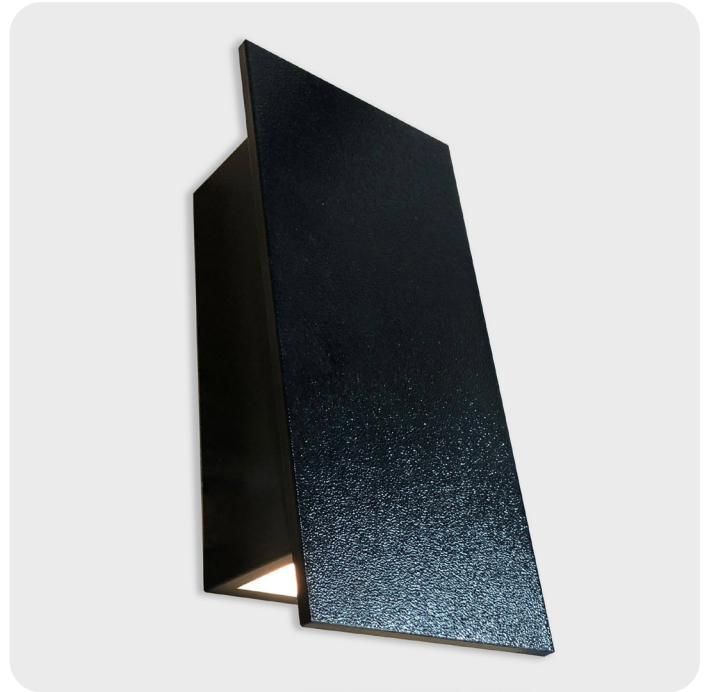
- LED

Notes:

- Universal mounting plate
- ADA compliant
- UL and CUL listed **WET** location when mounted downward
- LED Components
 - Replaceable LED Module
 - CRI > 90
 - Universal 120/277 volt standard
 - 5-Year Warranty on LED Components



Type:	
Job Name:	



ORDERING INFORMATION

Example: PINW-11-LED-F2B-2-B1-WFA

Size	LED					Kelvin	Cage	Finish	Diffuser	Options
		Watts	Source Lumens	Dimming	Energy Star					
11-LED	F2B	12	1180	0-10v	NO	2 3000K 3 3500K 4 4000K		B1 Satin Black B2 Text Black Z1 Satin Bronze Z3 Text Bronze W1 Yolk White W2 Gloss White T4 Shimmer Gray M13 Anod Silver T6 Pewter W13 Pearl Beige Optional (See Price List) M17 Brass Powder	WFA White Frosted Acrylic CSA Clear Smooth Frosted Acrylic	DIM LED dimming driver (0 - 10v)



28435 Industry Drive., Valencia, California 91355
 West Coast Sales: 800-325-4448 / 661-257-0286 • fax 800-323-2346 / 661-257-0201
 East Coast Sales: 866-350-0991 • fax 866-490-5754
 www.lightwayind.com • sales@lightwayind.com

