

LCEH-LED

Construction:

- Decorative metal surround
- Bottom Diffuser is a White Textured Acrylic
- Side Diffuser is a Translucent Bonded Linen Material with a variety of color options.
- Canopy and housing are steel with a powder coated finish

Light Source:

- LED
- Dimming to 10% **Included**

Notes:

- Mounting Kit Included for standard J-box
- Multiple canopy and stem options available.
- Custom overall heights available
- The LCEH has a typical leadtime of 6 weeks, consult with factory for any minimum order quantities and setup fees
- UL and CUL listed **DAMP** location
- LED Array
 - Replaceable Module
 - CRI > 80
 - Universal 120/277 volt standard
 - 5-Year Warranty on LED Components

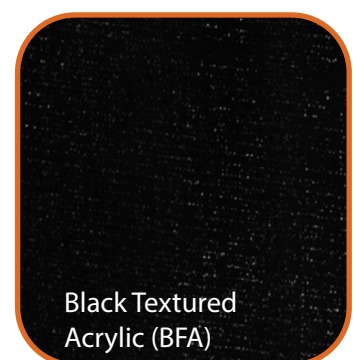
Type:	
Job Name:	



Shown with White Linen Acrylic Side Lens & 6" tall stem and canopy



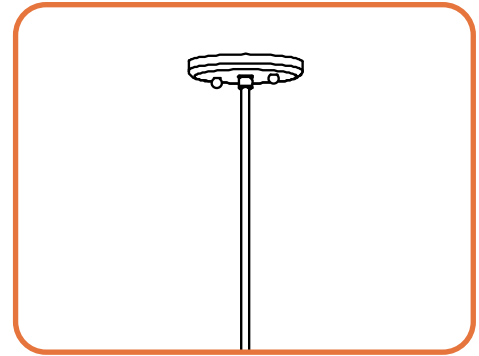
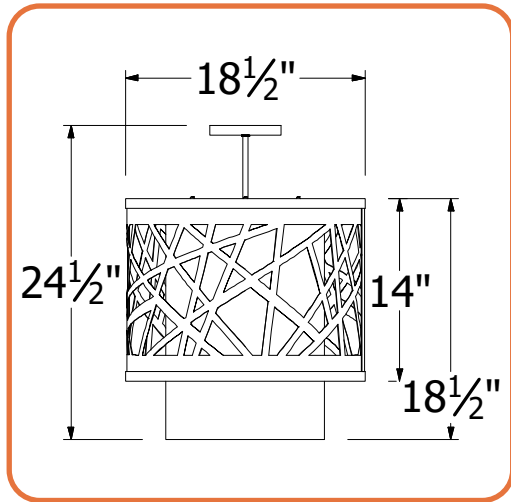
DIFFUSER OPTIONS



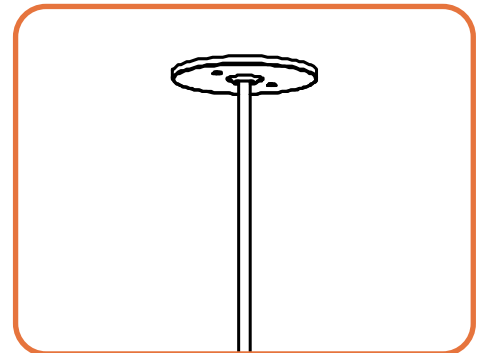
28435 Industry Drive., Valencia, California 91355
West Coast Sales: 800-325-4448 / 661-257-0286 • fax 800-323-2346 / 661-257-0201
East Coast Sales: 866-350-0991 • fax 866-490-5754
www.lightwayind.com • sales@lightwayind.com



LCEH-LED



STEM OPTION -1S15



STEM OPTION -1SLM45

ORDERING INFORMATION

Example: LCEH-18-LED-F1P-4-W2-CTA-WTA-DIM-1SLM45-24"OAH

LCEH

Size	LED					Kelvin	Cage	Finish	Diffusers	Options
		Watts	Source Lumens	Dimming	Energy Star	2 3000K 4 4000K				(Suspension Systems) Please list Over All Height
18-LED	F1K	13	2115	0-10v	YES	Optional 3 3500K	B1 Satin Black B2 Text Black Z1 Satin Bronze Z3 Text Bronze W1 Yolk White W2 Gloss White T4 Shimmer Gray M13 Anod Silver T6 Pewter W13 Pearl Beige Optional (See Price List) M17 Brass Powder	WLA White Linen Acrylic	(Suspension Systems) Please list Over All Height 1S15 -Single Stem 15 degree swivel 1SLM45 -Single Stem 45 degree swivel	
	F1P	15	1361	TRIAC/ELV	YES			CTA Chocolate Textured Acrylic		
	F1Q	23	2057	TRIAC/ELV	YES			Optional Trim Options (Consult Factory)	DIM LED dimming driver (0 - 10v) DIMLD Line Voltage /TRIAC/ELV/120v See Resource Page	
	2E26		0	TRIAC/ELV	NO			RTA Rapid Textured Acrylic BTA Black Textured Acrylic Bottom Diffuser WTA White Textured Acrylic	ES Energy Star listed components 90CRI Consult Factory	



28435 Industry Drive., Valencia, California 91355
 West Coast Sales: 800-325-4448 /661-257-0286 • fax 800-323-2346 /661-257-0201
 East Coast Sales: 866-350-0991 • fax 866-490-5754
 www.lightwayind.com • sales@lightwayind.com

