

LUSW-LED

Construction:

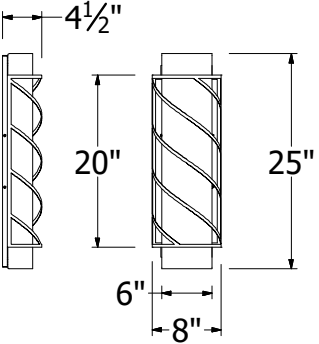
- Steel housing and chassis
- Diffuser is Translucent Bonded Linen Material available in a variety of color options

Light Source:

- LED
- Dimming to 10% **Included**

Notes:

- Universal mounting plate hardware included
- Custom cage styles available consult factory
- UL and CUL listed **DAMP** location
- LED Components
 - Replaceable Module
 - CRI > 80
 - Universal 120/277 volt standard
 - 5-Year Warranty on LED Components



Type:	
Job Name:	



ORDERING INFORMATION

Example: LUSW-LED-A-F1G-4-M13-WLA

LUSW

Size	LED					Kelvin	Cage	Finish	Diffuser	Options
		Watts	Source Lumens	Dimming	Energy Star	2 3000K 4 4000K	A X	B1 Satin Black B2 Text Black Z1 Satin Bronze Z3 Text Bronze W2 Gloss White W3 Text White T4 Shimmer Gray M13 Anod Silver T6 Pewter W13 Pearl Beige Optional (See Price List) M17 Brass Powder P2 Brushed Alum P9 Brushed Nickel M16 Antique Brass	WLA White Linen Acrylic Optional Trim Options (Consult Factory) RTA Rapid Textured Acrylic BTA Black Textured Acrylic CTA Chocolate Textured Acrylic	DIM LED dimming driver (0 - 10v) ES Energy Star listed components 90CRI Consult Factory
24-LED	F1G	15	2350	DIM or DIMLD	NO	Optional 3 3500K				



28435 Industry Drive., Valencia, California 91355
 West Coast Sales: 800-325-4448 /661-257-0286 • fax 800-323-2346 /661-257-0201
 East Coast Sales: 866-350-0991 • fax 866-490-5754
 www.lightwayind.com • sales@lightwayind.com

