

MEBW-LED

Construction:

- Steel Housing and chassis
- Diffuser UV-stabilized, high impact resistant, DR acrylic

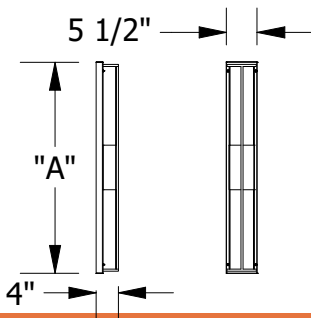
Light Source:

- LED
- Dimming to 10% **Included**

Notes:

- Integral mounting plate; Hardware include
- Mounts on a Standard J-Box
- Lens on all five sides
- Optional battery backup available on fixtures 526 & larger
- Optional photocell (21) increases fixture depth 1/2"
- Build America, Buy America Act Compliant
- UL and CUL listed **WET** location
 - Build America, Buy America Act Compliant
 - CRI > 90
 - Universal 120/277 volt standard
 - 5-Year Warranty on LED Components

Type:	
Job Name:	



	DIM 'A'	Mount-Center
MEBW-526	26"	13"
MEBW-538	38"	19"
MEBW-550	50"	25"



ORDERING INFORMATION

Example: MEBW-526-LED-O2C-3-Z3-WSA

MEBW

Size	LED					Kelvin	Cage	Finish	Diffuser	Options
		Watts	Source Lumens	Dimming	Energy Star					
526-LED	O2C	18	2420	0-10v	NO	2 3000K 3 3500K 4 4000K		B1 Satin Black Z1 Satin Bronze Z3 Text Bronze W1 Yolk W2 Gloss White W3 Text White B2 Text Black T4 Shimmer Gray M13 Anod Silver T6 Pewter W13 Pearl Beige	WSA White Smooth Acrylic	DIM LED dimming driver (0 - 10v) Dimming to 10% (Included)
538-LED	O3C	27	3630	0-10v	NO					21 Photocell - Specify voltage 01 - 120 volt 02 - 277 volt
550-LED	O4C	36	4840	0-10v	NO					42 All Aluminum Construction
								Optional (See Price List) P2 Brushed Alum M17 Brass Powder		Battery Backup Options BB10 10 Watts (1170lm) for 90-Minutes



28435 Industry Drive., Valencia, California 91355
800-325-4448 /661-257-0286
www.lightwayind.com • sales@lightwayind.com

