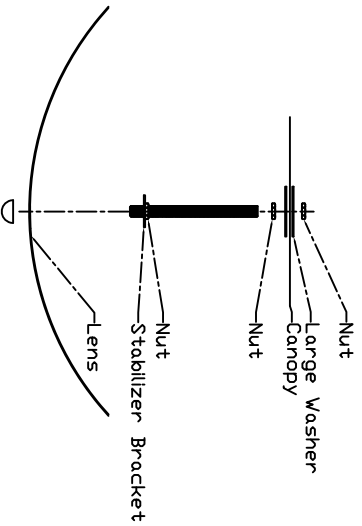
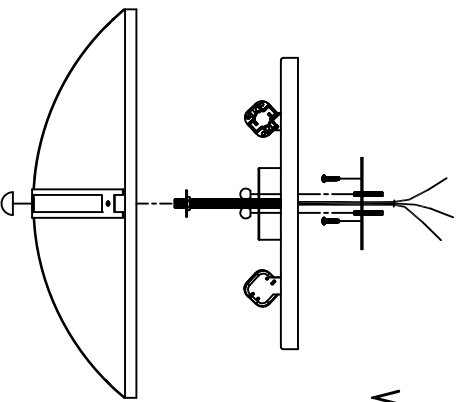


LIGHTWAY INDUSTRIES

INSTALLATION INSTRUCTIONS

WARNING – Before starting the installation, disconnect the power by turning off the circuit breaker or removing fuse. Turning the power off using the light switch is not sufficient to prevent electrical shock.



1. If you are replacing an existing fixture: disconnect and remove the old fixture. Expose the supply wiring from the outlet box.
2. Install Universal Cross Bar to the J-box with (2) 8-32 screws (supplied).
3. Make electrical connections: Connect grounding wire (green or bare copper) from the supply circuit to the green colored wire from the fixture. Connect the white wire(s) from the fixture to the white wire of the supply circuit. Connect the black wire(s) from the fixture to the black wire of the supply circuit. Use UL Listed wire connectors (by others). Secure wire connectors with UL Listed electrical tape (by others).
4. Install threaded rod with the nut and large washer on the top side of the canopy (see detail drawing). Install nut and large washer on the bottom side of the canopy. Tighten nuts.
5. Install nut and stabilizer bracket on the threaded rod for the lens mounting. Ensure that the stabilizer bracket is approximately 0.25" from the end of the rod.
6. Raise canopy over the Universal Cross Bar & secure using (2) All thread screws provided onto the Universal Cross Bar. Tighten the canopy with the ball nuts as needed.
7. Install the fixture lamp(s) do not exceed recommended wattage.
8. Install Lens.
9. Secure lens with ball nut
10. Restore power fixture is ready to use.