

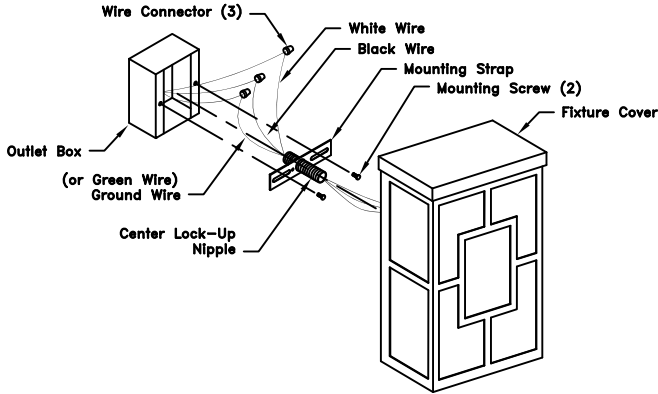
Lightway Industries

INSTALLATION OPERATION INSTRUCTIONS

PREPARING THE FIXTURE

1. **WARNING** – Before starting the installation, disconnect the power by turning off the circuit breaker or removing the fuse box. Turning the power off using the light switch is not sufficient to prevent electrical shock.
2. If you are replacing an existing fixture, disconnect and remove the old fixture. Expose the supply wiring from the outlet box.
3. Make electrical connections: Connect grounding wire (green or bare copper) from the supply circuit to the green colored wire from the fixture. Connect the white wire(s) from the fixture to the white wire of the supply circuit. Connect the black wire(s) from the fixture to the black wire of the supply circuit. Use UL Listed wire connectors (by others). Secure wire connectors with UL Listed electrical tape (by others).
4. Place the fixture chassis against mounting surface. Secure it with the center lock up nipple.
5. Install the fluorescent lamp(s), do not exceed recommended wattage.
6. Install (optional) bottom lens cover assembly (if provided).

IMPORTANT: In order to comply with established electrical code, the installer must seal the area around the fixture base and the wall, with type of caulking compound such as GE 100% or Dow Corning 100% silicone to provide a watertight seal in accordance with the differing surface textures of the wall.



SDGW-INST-4 (04/10/02 REV-1-)

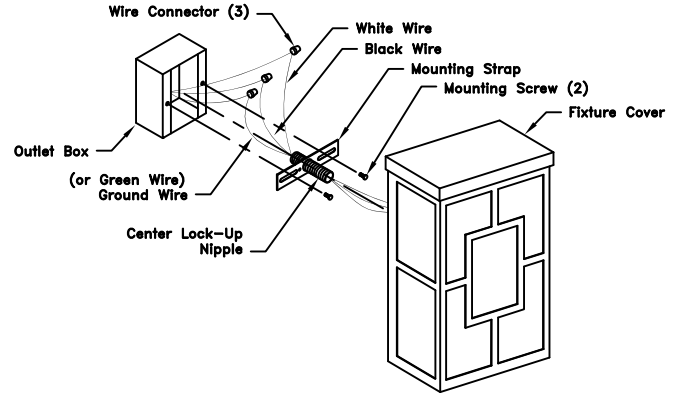
Lightway Industries

INSTALLATION OPERATION INSTRUCTIONS

PREPARING THE FIXTURE

1. **WARNING** – Before starting the installation, disconnect the power by turning off the circuit breaker or removing the fuse box. Turning the power off using the light switch is not sufficient to prevent electrical shock.
2. If you are replacing an existing fixture, disconnect and remove the old fixture. Expose the supply wiring from the outlet box.
3. Make electrical connections: Connect grounding wire (green or bare copper) from the supply circuit to the green colored wire from the fixture. Connect the white wire(s) from the fixture to the white wire of the supply circuit. Connect the black wire(s) from the fixture to the black wire of the supply circuit. Use UL Listed wire connectors (by others). Secure wire connectors with UL Listed electrical tape (by others).
4. Place the fixture chassis against mounting surface. Secure it with the center lock up nipple.
5. Install the fluorescent lamp(s), do not exceed recommended wattage.
6. Install (optional) bottom lens cover assembly (if provided).

IMPORTANT: In order to comply with established electrical code, the installer must seal the area around the fixture base and the wall, with type of caulking compound such as GE 100% or Dow Corning 100% silicone to provide a watertight seal in accordance with the differing surface textures of the wall.



SDGW-INST-4 (04/10/02 REV-1-)

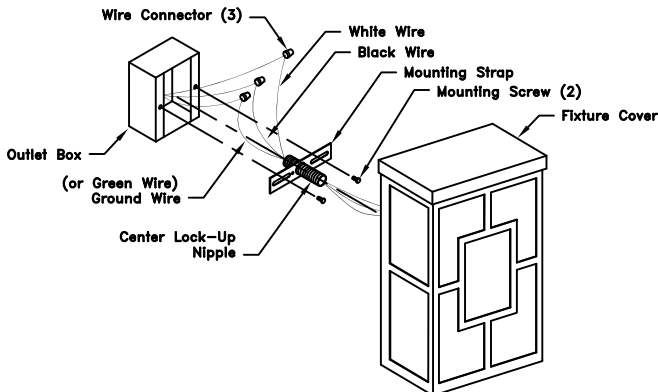
Lightway Industries

INSTALLATION OPERATION INSTRUCTIONS

PREPARING THE FIXTURE

1. **WARNING** – Before starting the installation, disconnect the power by turning off the circuit breaker or removing the fuse box. Turning the power off using the light switch is not sufficient to prevent electrical shock.
2. If you are replacing an existing fixture, disconnect and remove the old fixture. Expose the supply wiring from the outlet box.
3. Make electrical connections: Connect grounding wire (green or bare copper) from the supply circuit to the green colored wire from the fixture. Connect the white wire(s) from the fixture to the white wire of the supply circuit. Connect the black wire(s) from the fixture to the black wire of the supply circuit. Use UL Listed wire connectors (by others). Secure wire connectors with UL Listed electrical tape (by others).
4. Place the fixture chassis against mounting surface. Secure it with the center lock up nipple.
5. Install the fluorescent lamp(s), do not exceed recommended wattage.
6. Install (optional) bottom lens cover assembly (if provided).

IMPORTANT: In order to comply with established electrical code, the installer must seal the area around the fixture base and the wall, with type of caulking compound such as GE 100% or Dow Corning 100% silicone to provide a watertight seal in accordance with the differing surface textures of the wall.



SDGW-INST-4 (04/10/02 REV-1-)

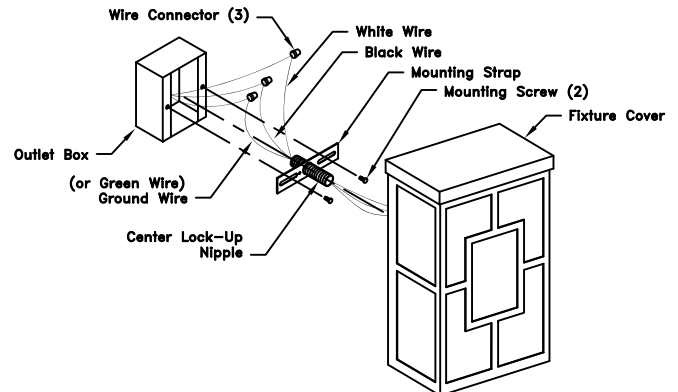
Lightway Industries

INSTALLATION OPERATION INSTRUCTIONS

PREPARING THE FIXTURE

1. **WARNING** – Before starting the installation, disconnect the power by turning off the circuit breaker or removing the fuse box. Turning the power off using the light switch is not sufficient to prevent electrical shock.
2. If you are replacing an existing fixture, disconnect and remove the old fixture. Expose the supply wiring from the outlet box.
3. Make electrical connections: Connect grounding wire (green or bare copper) from the supply circuit to the green colored wire from the fixture. Connect the white wire(s) from the fixture to the white wire of the supply circuit. Connect the black wire(s) from the fixture to the black wire of the supply circuit. Use UL Listed wire connectors (by others). Secure wire connectors with UL Listed electrical tape (by others).
4. Place the fixture chassis against mounting surface. Secure it with the center lock up nipple.
5. Install the fluorescent lamp(s), do not exceed recommended wattage.
6. Install (optional) bottom lens cover assembly (if provided).

IMPORTANT: In order to comply with established electrical code, the installer must seal the area around the fixture base and the wall, with type of caulking compound such as GE 100% or Dow Corning 100% silicone to provide a watertight seal in accordance with the differing surface textures of the wall.



SDGW-INST-4 (04/10/02 REV-1-)